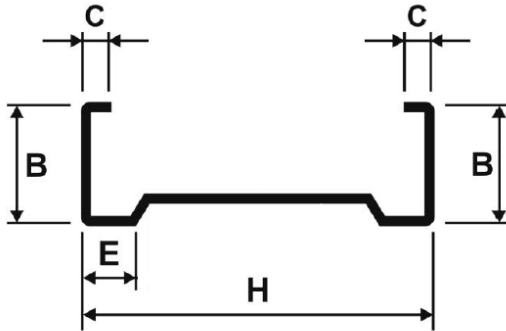


PERFIL TIPO "SIGMA"

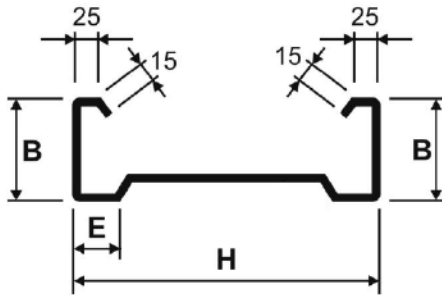


PERFIL

PROPIEDADES SECCIÓN COMPLETA

| Profile Type | Profile Name | H (mm) | B (mm) | C (mm) | E (mm) | T (mm) | G (Kgl/m) | Averf (m ² /m) | A (cm ²) | I _y (cm ⁴) | W _y (cm ³) | I _z (cm ⁴) | W _z (cm ³) |
|--------------|--------------|--------|--------|--------|--------|--------|-----------|---------------------------|----------------------|-----------------------------------|-----------------------------------|-----------------------------------|-----------------------------------|
| S 200 | S 200x4 | 200 | 70 | 21 | 50 | 4 | 11,86 | 0,75 | 15,12 | 862,49 | 86,12 | 76,80 | 17,62 |
| S 200 | S 200x3 | 200 | 70 | 17 | 50 | 3 | 8,90 | 0,75 | 11,34 | 651,83 | 65,08 | 58,59 | 13,09 |

PERFIL TIPO "SIGMA PLUS" (SIGMA+)



PERFIL

PROPIEDADES SECCIÓN COMPLETA

| Profile Type | Profile Name | H (mm) | B (mm) | C (mm) | E (mm) | T (mm) | G (Kgl/m) | Averf (m ² /m) | A (cm ²) | I _y (cm ⁴) | W _y (cm ³) | I _z (cm ⁴) | W _z (cm ³) |
|--------------|--------------|--------|--------|--------|--------|--------|-----------|---------------------------|----------------------|-----------------------------------|-----------------------------------|-----------------------------------|-----------------------------------|
| S+440 | S+440x4 | 440 | 90 | 25 | 71 | 4 | 21,62 | 1,36 | 27,38 | 7089,33 | 322,05 | 184,40 | 31,54 |
| S+440 | S+440x3 | 440 | 85 | 25 | 71 | 3 | 16,22 | 1,36 | 20,52 | 5293,13 | 240,45 | 128,90 | 23,48 |
| S+430 | S+430x2 | 430 | 85 | 25 | 71 | 2 | 10,81 | 1,36 | 13,67 | 3410,42 | 158,52 | 93,44 | 16,98 |
| S+350 | S+350x4 | 350 | 95 | 25 | 55 | 4 | 19,08 | 1,20 | 24,18 | 4197,36 | 239,70 | 197,65 | 32,90 |
| S+350 | S+350x3 | 350 | 90 | 25 | 55 | 3 | 14,31 | 1,20 | 18,12 | 3135,02 | 179,03 | 138,56 | 24,45 |
| S+350 | S+350x2 | 350 | 85 | 25 | 55 | 2 | 9,54 | 1,20 | 12,07 | 2081,12 | 118,84 | 87,60 | 16,45 |
| S+250 | S+250x4 | 250 | 95 | 25 | 55 | 4 | 15,90 | 1,00 | 20,18 | 1875,06 | 149,85 | 195,30 | 33,27 |
| S+250 | S+250x3 | 250 | 90 | 25 | 55 | 3 | 11,86 | 1,00 | 15,12 | 1398,91 | 111,79 | 137,32 | 24,73 |
| S+250 | S+250x2 | 250 | 85 | 25 | 55 | 2 | 7,95 | 1,00 | 10,07 | 927,62 | 74,13 | 87,06 | 16,64 |
| S+250 | S+245x1,5 | 245 | 85 | 25 | 55 | 1.5 | 5,96 | 1,00 | 7,62 | 705,56 | 56,38 | 69,12 | 13,20 |
| S+220 | S+220x2 | 220 | 100 | 25 | 55 | 2 | 7,95 | 1,00 | 10,07 | 755,60 | 68,60 | 126,80 | 20,62 |
| S+220 | S+220x1,5 | 220 | 98 | 25 | 55 | 1.5 | 5,96 | 1,00 | 7,56 | 567,43 | 51,52 | 95,00 | 15,76 |