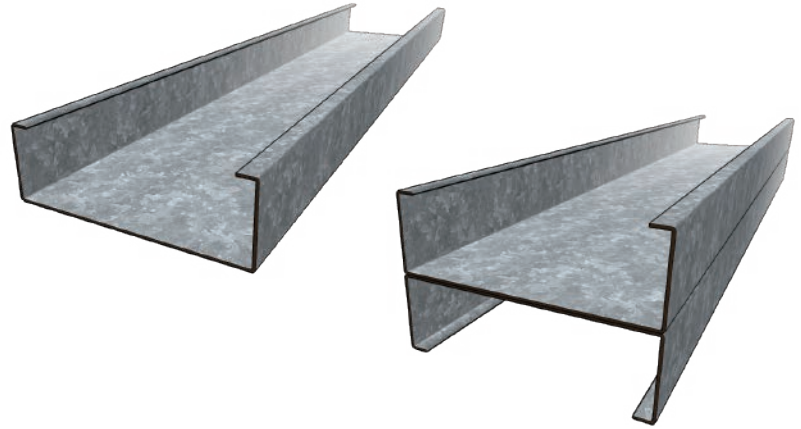
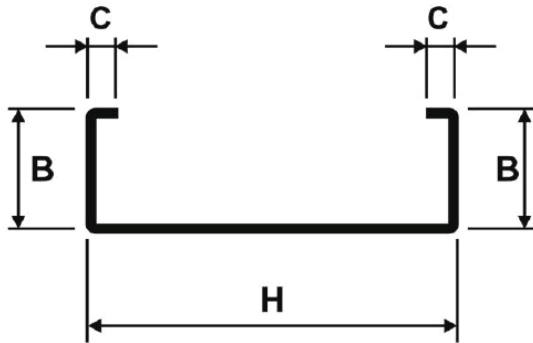


PERFIL TIPO "C" - FICHA TÉCNICA



| PERFIL | | | | | | | | PROPIEDADES SECCIÓN COMPLETA | | | | |
|--------------|--------------|--------|----------|--------|--------|----------|---------------------------|------------------------------|-----------------------------------|-----------------------------------|-----------------------------------|-----------------------------------|
| Profile Type | Profile Name | H (mm) | A B (mm) | C (mm) | T (mm) | G (Kg/m) | Averf (m ² /m) | A (cm ²) | I _y (cm ⁴) | W _y (cm ³) | I _z (cm ⁴) | W _z (cm ³) |
| C 200 | C 200x4 | 200 | 95 | 20 | 4 | 12,72 | 0,80 | 16,22 | 1031,11 | 103,11 | 182,81 | 27,93 |
| C 200 | C 200x3 | 200 | 92 | 20 | 3 | 9,54 | 0,80 | 12,13 | 775,14 | 77,51 | 131,94 | 20,74 |
| C 200 | C 200x2 | 200 | 91 | 18 | 2 | 6,36 | 0,80 | 8,06 | 520,49 | 52,05 | 86,17 | 13,55 |
| C 200 | C 200x1,5 | 200 | 89 | 18 | 1,5 | 4,77 | 0,80 | 6,02 | 389,33 | 38,93 | 62,52 | 10,02 |
| C 175 | C 175x4 | 175 | 95 | 20 | 4 | 11,93 | 0,75 | 15,22 | 757,99 | 86,63 | 174,71 | 27,45 |
| C 175 | C 175x3 | 175 | 92 | 20 | 3 | 8,94 | 0,75 | 11,38 | 570,43 | 65,19 | 126,16 | 20,40 |
| C 100 | C 100x2 | 100 | 90 | 18 | 2 | 4,77 | 0,60 | 6,02 | 108,14 | 21,63 | 65,83 | 12,11 |
| C 100 | C 100x1,5 | 100 | 88 | 18 | 1,5 | 3,58 | 0,60 | 4,49 | 81,16 | 16,23 | 47,80 | 8,98 |

| DOBLE PERFIL | | | | | | | | PROPIEDADES SECCIÓN COMPLETA | | | | |
|--------------|--------------|--------|----------|--------|--------|----------|---------------------------|------------------------------|-----------------------------------|-----------------------------------|-----------------------------------|-----------------------------------|
| Profile Type | Profile Name | H (mm) | A B (mm) | C (mm) | T (mm) | G (Kg/m) | Averf (m ² /m) | A (cm ²) | I _y (cm ⁴) | W _y (cm ³) | I _z (cm ⁴) | W _z (cm ³) |
| C 200 | 2C 200x4 | 200 | 95 | 20 | 4 | 25,44 | 0,80 | 32,43 | 2062,22 | 206,22 | 648,72 | 68,29 |
| C 200 | 2C 200x3 | 200 | 92 | 20 | 3 | 19,08 | 0,80 | 24,26 | 1550,29 | 155,03 | 459,38 | 49,93 |
| C 200 | 2C 200x2 | 200 | 91 | 18 | 2 | 12,72 | 0,80 | 16,13 | 1040,99 | 104,10 | 293,38 | 32,24 |
| C 200 | 2C 200x1,5 | 200 | 89 | 18 | 1,5 | 9,54 | 0,80 | 12,05 | 778,66 | 77,87 | 210,48 | 23,65 |
| C 175 | 2C 175x4 | 175 | 95 | 20 | 4 | 23,86 | 0,75 | 30,43 | 1515,97 | 173,25 | 648,62 | 68,28 |
| C 175 | 2C 175x3 | 175 | 92 | 20 | 3 | 17,88 | 0,75 | 22,76 | 1140,86 | 130,38 | 459,34 | 49,93 |
| C 100 | 2C 100x2 | 100 | 90 | 18 | 2 | 9,54 | 0,60 | 12,05 | 216,28 | 43,26 | 284,73 | 31,64 |
| C 100 | 2C 100x1,5 | 100 | 88 | 18 | 1,5 | 7,16 | 0,60 | 8,99 | 162,32 | 32,46 | 204,20 | 23,20 |